

# Eagle Pneumatic Type I and Type II Stations



The Eagle Pneumatic Type I and Type II stations represent our Basic Air-Lift Systems, our most cost-effective and easiest pneumatic tube delivery systems to install. These pressure/pressure systems transport items between two similar send/receive stations through a single, interconnecting tube.

Both Type I and Type II stations are produced with internal air turbos that push the carrier to the receiving station.

While the Eagle Pneumatic Type I station is ideal for narrow and taller mounting areas, the Type II station fits into more compact locations. Both stations are manufactured from heavy steel for reliability and durability.

Both Type I and Type II stations are designed for a wide range of industrial, commercial and retail applications. Call your Eagle Pneumatic dealer today.



**ADVANCED SYSTEMS, INC.**

555 West 3560 South  
Salt Lake City, Utah 84115

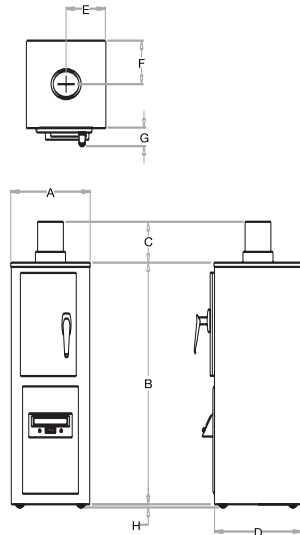
**SLC 263-1212**  
**1-800-545-8307**

**EQUIPMENT • SUPPLIES • SERVICE**



# Eagle Pneumatic Type I and Type II Stations

## Type I Station



### DIMENSIONS

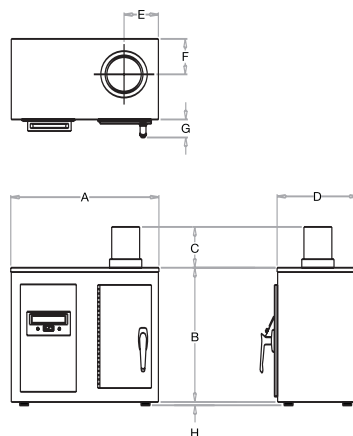
System Size	3"	4"	6"
<b>A</b>	9 1/4"	10 1/4"	12 1/4"
<b>B</b>	28 1/4"	34 1/4"	46 5/8"
<b>C</b>	4 3/4"	4 3/4"	4 3/4"
<b>D</b>	10 1/8"	11 1/8"	11 1/8"
<b>E</b>	4 5/8"	5 1/8"	6 1/8"
<b>F</b>	4 3/4"	5 5/8"	5 1/2"
<b>G</b>	1 7/8"	1 7/8"	1 7/8"
<b>H</b>	3/4"	3/4"	3/4"

### ELECTRICAL REQUIREMENTS

**Power, all models:** 115V, single-phase, 60Hz  
U.L. Approved

### DOWN SEND STATIONS AVAILABLE

## Type II Station



### DIMENSIONS

System Size	3"	4"	6"
<b>A</b>	17 1/4"	18 1/4"	18 1/4"
<b>B</b>	15 3/4"	23 1/4"	29 1/4"
<b>C</b>	4 3/4"	4 3/4"	4 3/4"
<b>D</b>	9 3/8"	12 1/8"	12 1/8"
<b>E</b>	4 1/8"	4 3/4"	5 3/8"
<b>F</b>	4 1/8"	6"	6"
<b>G</b>	1 7/8"	1 7/8"	1 7/8"
<b>H</b>	3/4"	3/4"	3/4"

### ELECTRICAL REQUIREMENTS

**Power, all models:** 115V, single-phase, 60Hz F.L.  
U.L. Approved

### DOWN SEND STATIONS AVAILABLE

E-mail: [sales@eaglepneumatic.com](mailto:sales@eaglepneumatic.com)  
[www.eaglepneumatic.com](http://www.eaglepneumatic.com)

  
**ADVANCED SYSTEMS, INC.**  
 555 West 3560 South  
 Salt Lake City, Utah 84115  
**SLC 263-1212**  
**1-800-545-8307**  
**EQUIPMENT • SUPPLIES • SERVICE**

**Eagle Pneumatic, Inc.**  
 3902 Industry Boulevard  
 Lakeland, Florida 33811  
 Tel: 863.644.4870  
 Tel: 800.237.8261  
 Fax: 863.647.5328

